

BP-2000Q AIR RIVET NUT TOOL/ Quick Change Head

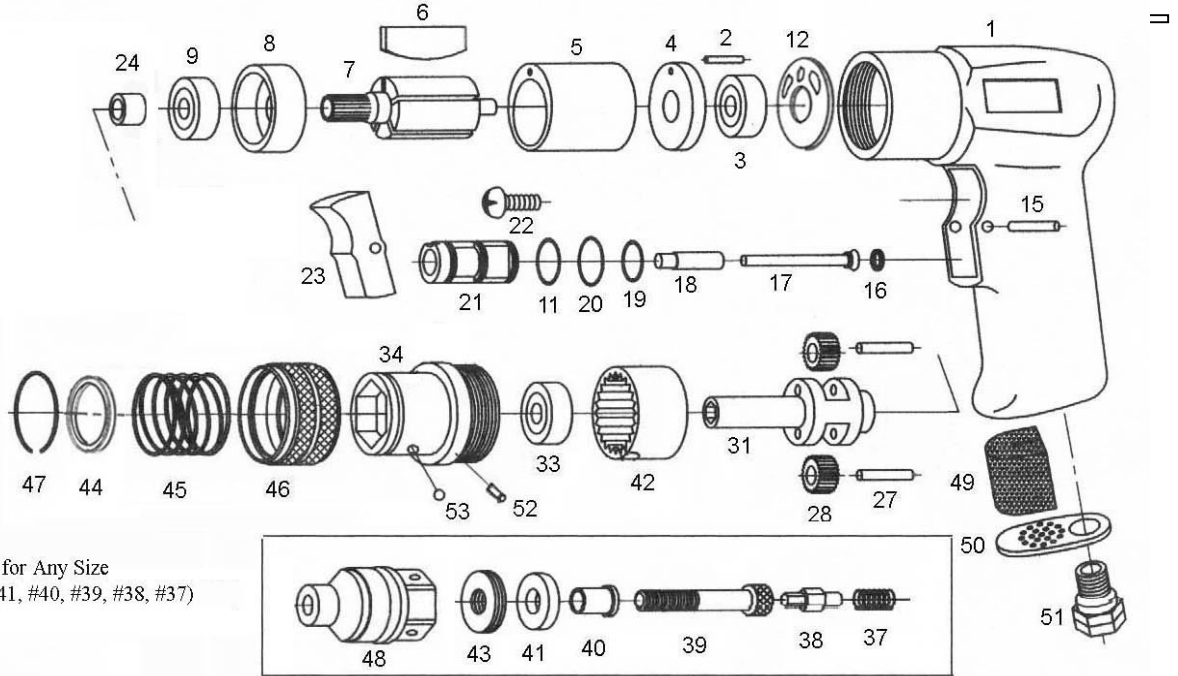
SPECIFICATIONS

Max. Rivet Nut Setting Capacity.... #8-32, #10-32
 Free Speed 1800 RPM
 Weighth 2.2 LBS
 Avg. Air Consumption..... 5 CFM
 Air Inlet 1/4"NPTF
 Mini- Hose Size..... 3/8"
 Sound Pressure..... 86 DBA
 Vibration..... <2.5 M/S²



THE FUSION OF PRODUCTION AND TECHNOLOGY

bluepneumatic.com



* Head Ass'y for Any Size (#48, #43, #41, #40, #39, #38, #37)

11/15/2005

Index NO.	Part NO.	Description	NO. Req'd
1	22001	Motor Housing	1
2	P2514	Spring Pin	1
3	25004	Ball Bearing	1
4	25003	Rear Plate	1
5	35009	Cylinder	1
6	25007H	Rotor Blade	5
7	35002A	Rotor	1
8	22008	Front Plate	1
9	B6002	Ball Bearing	1
11	10445	O-Ring	2
12	23211	Motor Gasket	1
15	25018	Roll Pin	1
16	35016	O-Ring	2
17	35007	Valve Stem	2
18	35006	Sleeve	2
19	35039	O-Ring	2
20	35003	O-Ring	2
21	35005	Throttle Bushing	2
22	35004	Screw	1
23	35002	Trigger	1
24	HK0810	Needle Bearing	1
27	35059	Planet Pin	2
28	35018B	Planet Gear (18T)	2
31	35010W	Planet Cage	1
33	35069	Ball Bearing	1

Index NO.	Part NO.	Description	NO. Req'd
34	60074	Q-Change Housing	1
37	35076	Spring	1
38	600632	Hexagon Bit 6-32	1
	600832	Hexagon Bit 8-32	1
	601032	Hexagon Bit 10-32	1
39	W06032	Bolt 6-32	1
	W08032	Bolt 8-32	1
	W10032	Bolt 10-32	1
40	60094	Bushing 6-32, 8-32	1
	60095	Bushing 10-32	1
41	60063	Washer 6-32, 8-32, 10-24	1
42	35012A	Internal Gear	1
43	35065	Needle Bearing 6-32, 8-32, 10-32	1
44	60032	Washer	1
45	60076	Spring	1
46	60072	Q-Change Clamp	1
47	60075	Ring	1
48	600N6	Nut Anvil 6-32	1
	600N8	Nut Anvil 8-32	1
	600N10	Nut Anvil 10-32	1
49	35049	Muffler	1
50	35062	Diffuser Exhaust	1
51	35061	Air Inlet Bushing	1
52	35029	Pin	1
53	60053	Steel Ball	1