

# BP350Q AIR RIVET NUT TOOL Quick Change Head

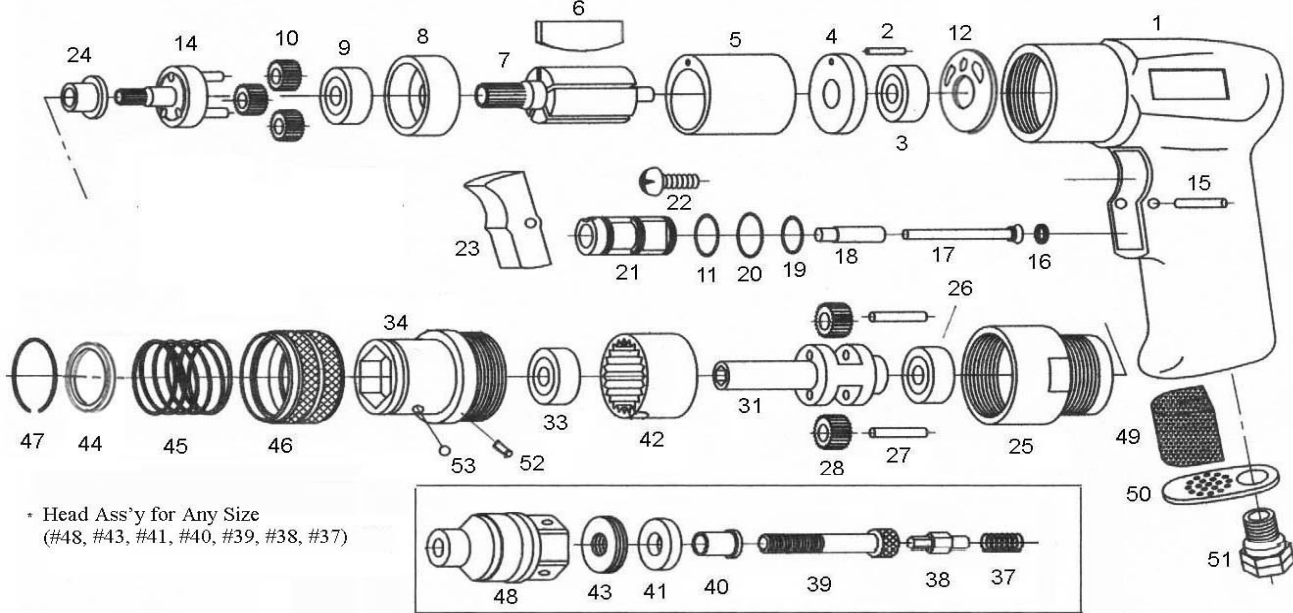


THE FUSION OF PRODUCTION AND TECHNOLOGY™

[www.bluepneumatic.com](http://www.bluepneumatic.com)

## SPECIFICATIONS

Max. Rivet Nut Setting Capacity.... 5/16 -18"(3/8-16")  
 Free Speed ..... 300 RPM  
 Weigth ..... 2.8 LBS  
 Avg. Air Consumption..... 5 CFM  
 Air Inlet ..... 1/4"NPTF  
 Mini- Hose Size..... 3/8"  
 Sound Pressure..... 86 DBA  
 Vibration..... <2.5 M/S<sup>2</sup>



11/15/2005

Index NO.	Part NO.	Description	NO. Req'd
1	35001	Motor Housing	1
2	P2514	Spring Pin	1
3	25004	Ball Bearing	1
4	25003	Rear Plate	1
5	35009	Cylinder	1
6	25007H	Rotor Blade	5
7	35002A	Rotor	1
8	25008	Front Plate	1
9	25023	Ball Bearing	1
10	35018B	Planet Gear	3
11	10445	O-Ring	2
12	23211	Motor Gasket	1
14	35011A	Planet Cage (7T) + Pin	1
15	25018	Roll Pin	1
16	35016	O-Ring	2
17	35007	Valve Stem	2
18	35006	Sleeve	2
19	35039	O-Ring	2
20	35003	O-Ring	2
21	35005	Throttle Bushing	2
22	35004	Screw	1
23	35002	Trigger	1
24	35016A	Bushing	1
25	35015A	Housing	1
26	35060	Ball Bearing	1
27	35059	Planet Pin	2
28	35018B	Planet Gear (18T)	2
31	35010W	Planet Cage	1
33	35069	Ball Bearing	1
34	60074	Q-Change Housing	1
37	35076	Spring	1

Index NO.	Part NO.	Description	NO. Req'd
38	601024	Hexagon Bit 10-24	1
	601032	Hexagon Bit 10-32	1
	601420	Hexagon Bit 1/4"-20	1
	651618	Hexagon Bit 5/16"-18	1
	603816	Hexagon Bit 3/8"-16	1
39	W10024	Bolt 10-24	1
	W10032	Bolt 10-32	1
	W14020	Bolt 1/4-20	1
	W51618	Bolt 5/16-18	1
	W03816	Bolt 3/8"-16	1
40	60095	Bushing 10-24, 10-32	1
	6009614	Bushing 1/4"-20	1
41	60063	Washer 10-24, 10-32, 1/4"-20	1
	35063	Washer 5/16"-18	1
42	35012A	Internal Gear	1
43	35065	Needle Bearing 10-24,10-32,1/4"-20,5/16"-18	1
	B51100	Ball Bearing 3/8"-16	1
44	60032	Washer	1
45	60076	Spring	1
46	60072	Q-Change Clamp	1
47	60075	Ring	1
48	600N10	Nut Anvil 10-24, 10-32	1
	600N14	Nut Anvil 1/4"-20	1
	600N516	Nut Anvil 5/16"-18	1
	600N38	Nut Anvil 3/8"-16	1
49	35049	Muffler	1
50	35062	Diffuser Exhaust	1
51	35061	Air Inlet Bushing	1
52	35029	Pin	1
53	60053	Steel Ball	1